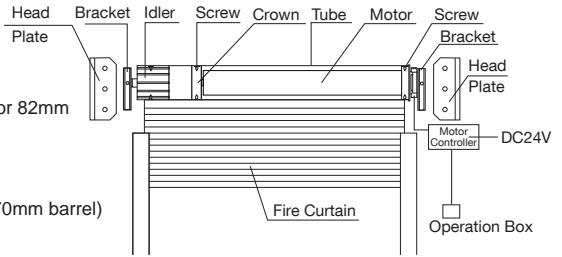


Reading carefully before installation to avoid damaged.

## I. Tech-data

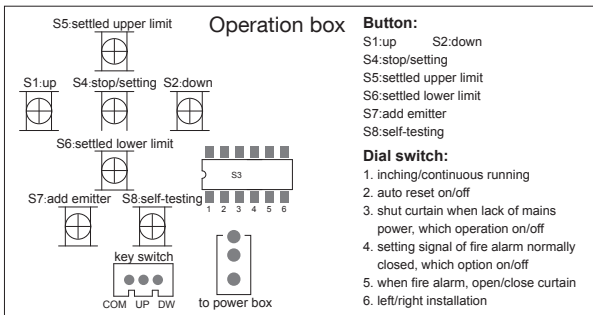
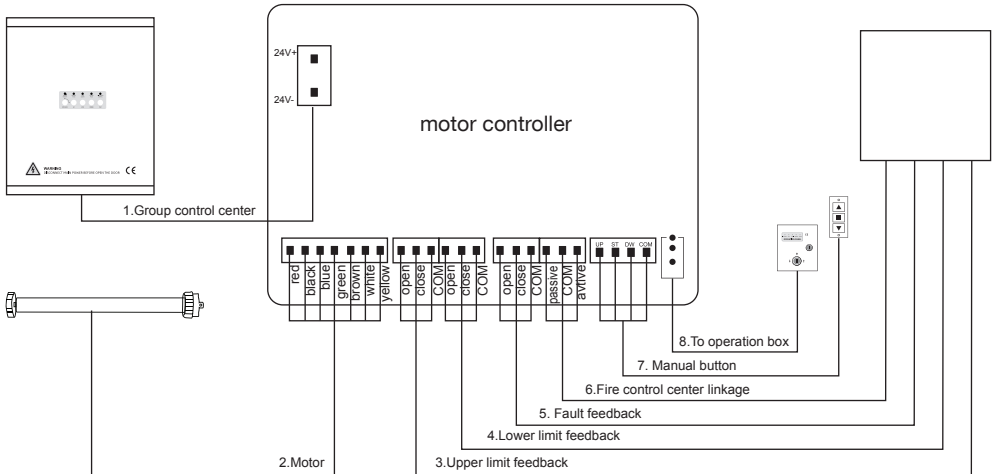
- State power: 220-240V/50Hz
- Motor voltage: DC 24V
- Motor diameter: 59mm
- Adaptive external barrel: Round tube with inner 70 or 82mm
- Current: 8A      Input power: 192W
- Output power: 58W      Torque: 10N.m & 30N.m
- Lift capacity 8kg to 60kg (82mm barrel) and 70kg (70mm barrel)
- Speed: 18rpm      Level of protection: IP44
- Continuous running time S2: 10min
- Standby time of batteries back-up while suspending curtain: 2 hours



## II. Wiring diagram

Wiring JX5 which mark "to power box" of operation box to JX12 of motor controller which means "to operation box" to complete panel connection.

According to colors wiring the cable of motor to JX4 to complete motor connection.



### III. Features

1.Gravity fail-safe without power, protection of short circuit and break circuit. Any situation of when without any power, when motor cable wires touched together or broken in fire burned, the curtain automatically runs to bottom by gravity. Drop speed between 0.06 and 0.15m/s.

#### 2.Electronic limit and staged deployment.

2.1 Pressing S1 button inside operation box until get at upper limit position you want, release S1 and press S5 once. When sounded 3 short beeps, the upper limit has been settled.

2.2 Pressing S2 until get at middle stop position you want, release S2 and press S4 once. When sounded 2 short beeps, the middle stop position has been settled.

2.3 Pressing S2 again until get at lower limit position you want, release S2 and press S6 once. When sounded 2 short beeps and a long beep, the lower limit has been settled.

2.4 Reset limit, long pressing S5 5 seconds, after a long beep, entering into mode of limit setting.

2.5 Reset upper and lower limit, same method of 2-1 and 2-3.

2.6 Reset only upper limit. Running to upper limit position you want, press S5 once. After beeps sounded, press S5 again.

2.7 Reset only middle position. Running to middle stop position you want, press S4 once. After beeps sounded, press S4 again.

2.8 Reset only lower limit. Running to lower limit position you want, press S6 once. After beeps sounded, press S6 again.

#### 3.Delayed deployment.

3.1 With standby status, press S4 once to activate LED. The first digit position of LED represents which sort of timer to be settled. "0" represents delayed time of fire alarm to be settled. "1" represents time of middle stop. "2" represents hold time of top during fireman switch utility which refers to 14-1.

3.2 Rest three digit positions of LED are thousands to tens digit of time setting by left to right. The rightmost digit 1 unit represents 10 seconds. Immediately run is a method of setting these three digits to zero.

3.3 S5 and S6 to change number of the first digit position, when chosen digit to setting, press S4, the fourth digital glinting. Then, press S1 and S2 to change which digit to glint, S5 and S6 to adjust time of each digit position. Press S4 to settled and quit setting.

#### 4.Inching/continuous option. Turn on the first dial switch of S3 to inching run, turn off to continuous run.

5.Auto-reset. Turn on the second dial switch, the curtain automatically runs to upper limit position when fire alarm disappeared.

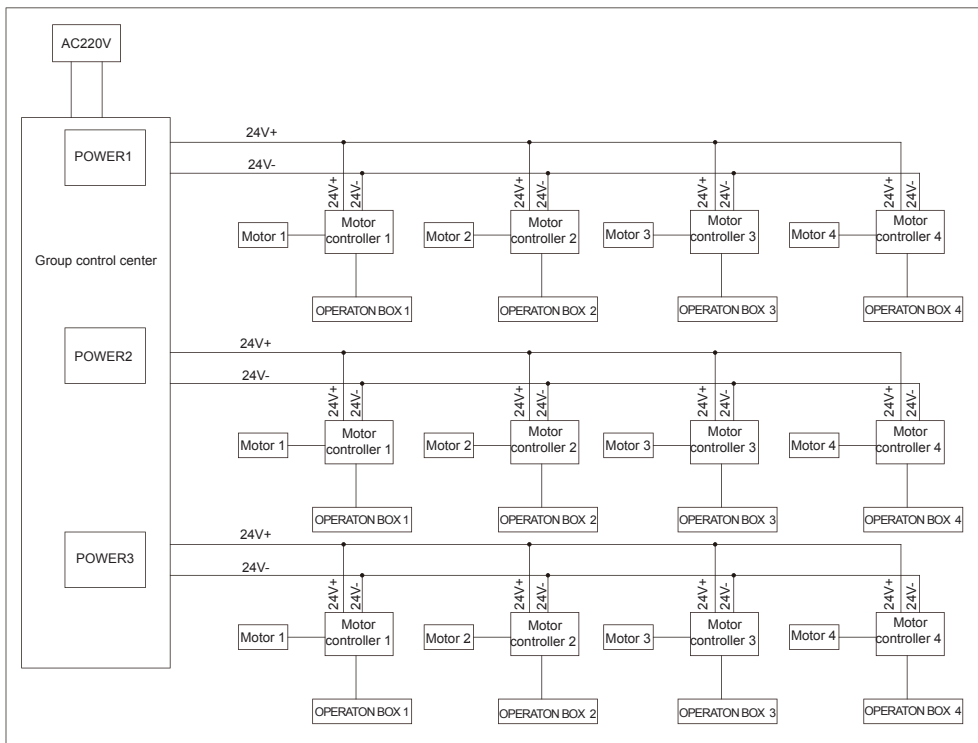
6.Turn on the third dial switch, when without mains supply, even though remains batteries back-up, the curtain automatically close.

7.Turn on the fourth dial switch to get opened signal from normally closed fire alarm.

8.Close/open option of the curtain operation when fire alarm. Turn on the fifth dial switch to open or turn off to close the curtain when fire alarm.

9.Left/right installation. Turn on the fifth dial switch for left installation and turn off for right installation.

10.Group control.



## 11. Remote control.

- 11.1 Press “learn” a second, sounds a beep, release it to enter into emitter addition.
- 11.2 Press stop button of emitter 2 seconds, after a long beep, it has settled.
- 11.3 Long press “learn” 8 seconds, remove all emitters.

## 12. Self-testing button.

- 12.1 Press S8 inside operation box, the curtain automatically runs a circle.
- 12.2 Times of self-testing have displayed on standby status of LED.

## 13. Signal feedback.

- 13.1 When at upper limit, the upper feedback relay has closed.
- 13.2 When at lower limit, the lower feedback relay has closed.
- 13.3 Without mains power, or batteries power less than 23V, or limit fault, the fault feedback relay has closed.

## 14. Conditions of fire alarm action.

- 14.1 When signal from Group control..
- 14.2 When signal from fire linkage.

## 15. Actions after fire alarm.

- 15.1 With turn on the fifth dial switch which refer to item 8, when fire alarm, the visible and audible alarm light works. Meanwhile, the curtain automatically runs to upper limit.
- 15.2 With turn off the fifth dial switch, when fire alarm, alarm light works. Meanwhile, the curtain automatically runs down after a while or drop immediately. At the middle stop position, the curtain stops for a while or without delay then drop to lower limit.
- 15.3 About diverse limit settings, each timer setting of delay or immediate action refers to item 2 and 3.

## **IV. Supplement**

1. There is a key switch (JX4) on the panel to run curtain and it is also allowed to add extra-unnecessary manual switch (port 5) to box.
2. Necessary pack list of main product includes motor with fireproof cable, power box, operation panel box, steel idler and installation brackets.
3. Five indicator lights.
  - 3.1 First indicator light of box, light indicating in limit setting mode, extinction indicating standby, and glint indicating run.
  - 3.2 Fire light indicates fire alarm.
  - 3.3 Fault light indicates fault.
  - 3.4 Battery light of glint indicates low power.
  - 3.5 Power light of glint indicates without mains power.
4. Design of separated power box and operation box to protect children.

## **V. Note**

1. It doesn't work normally with no-load adjustment unless 15kg weight rail loading.
2. When without mains power, it intelligently alters to supply of batteries. So don't use that backup batteries switch unless need to adjust curtain at spot far away from power.
3. Don't try to lengthen original cable of motor, rather adjustable-length cable between power box and operation box convenient to install.
4. The product applies to vertical shutter, unavailing to horizontal shutter.
5. Please check left/right installation dial switch setting correct which refer to item 9 when you install motor on the end, otherwise cause issue of single direction that the curtain can not run upward.